

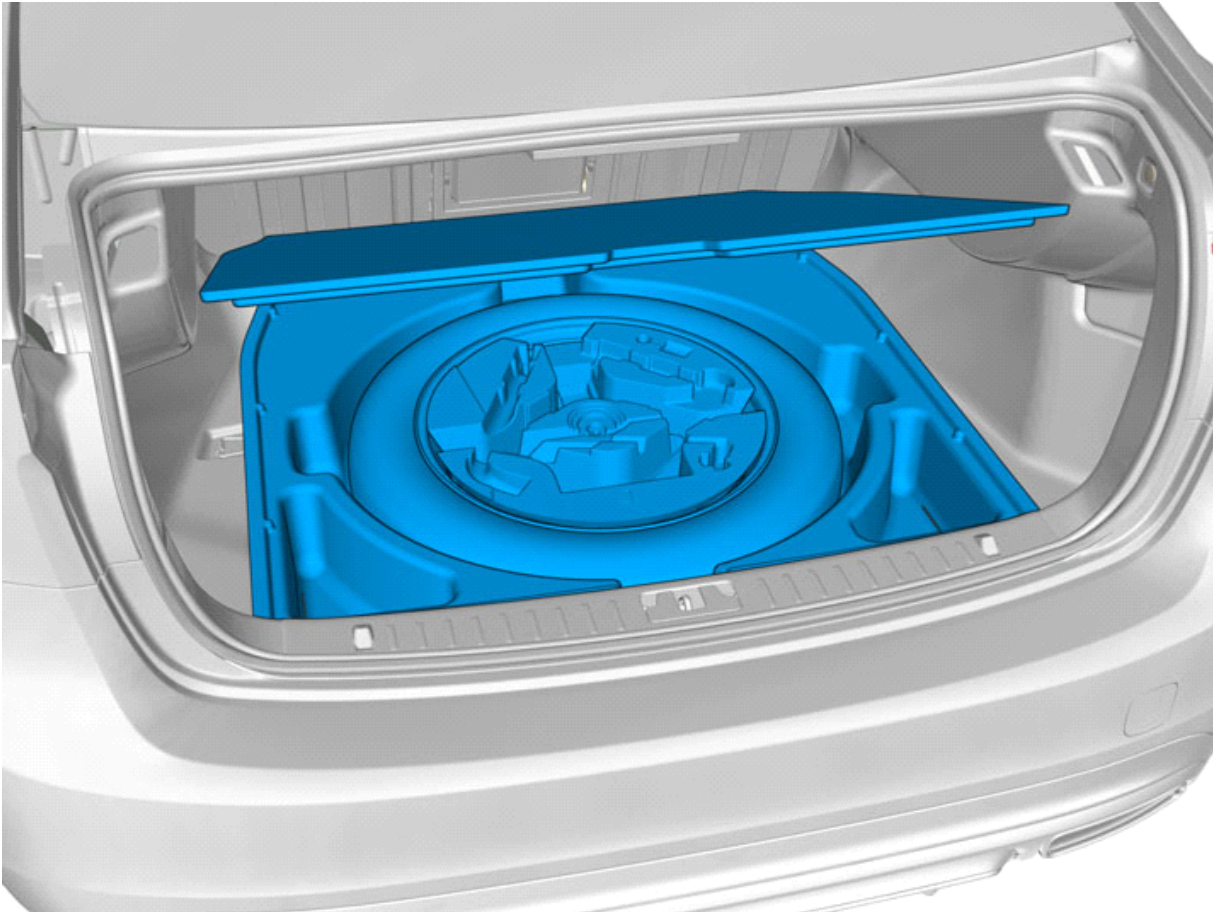


Installation instructions, accessories

Volvo Car Corporation Gothenburg, Sweden

Instruction No	Version	Part. No.
31399583	1.0	31399083

Spare wheel kit

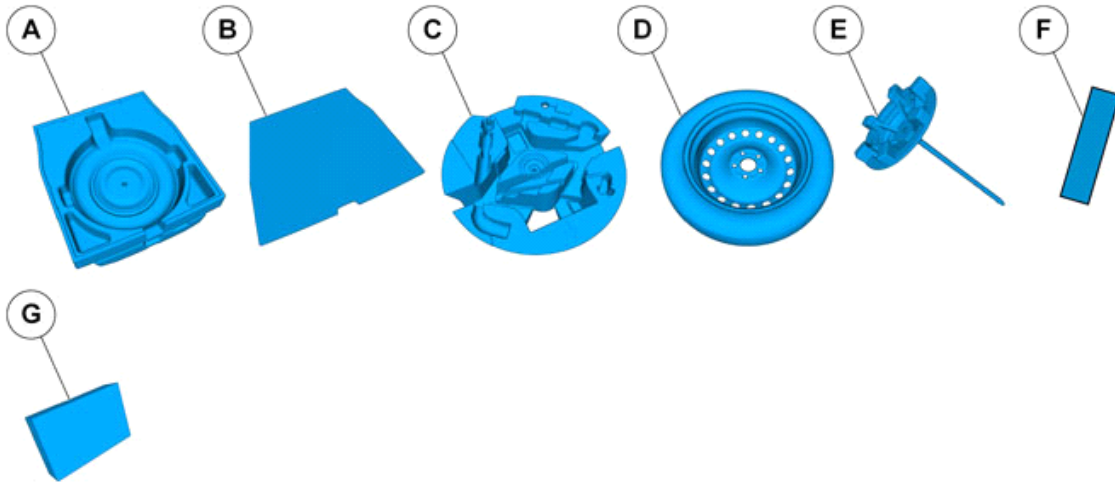


IMG-378688



Installation instructions, accessories

Volvo Car Corporation Gothenburg, Sweden



IMG-378701



Installation instructions, accessories

Volvo Car Corporation Gothenburg, Sweden

Information

1

Read through all of the instructions before starting installation.

Notifications and warning texts are for your safety and to minimise the risk of something breaking during installation.

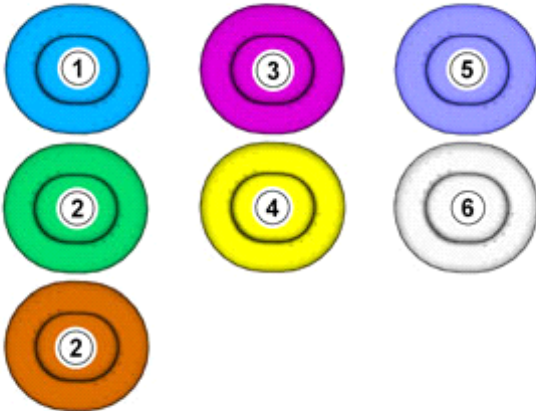
Ensure that all tools stated in the instructions are available before starting installation.

Certain steps in the instructions are only presented in the form of images. Explanatory text is also given for more complicated steps.

In the event of any problems with the instructions or the accessory, contact your local Volvo dealer.

Color symbols

2



IMG-363036

Note!

This colour chart displays (in colour print and electronic version) the importance of the different colours used in the images of the method steps.

- Used for focused component, the component with which you will do something.
- Used as extra colors when you need to show or differentiate additional parts.
- Used for attachments that are to be removed/installed. May be screws, clips, connectors, etc.
- Used when the component is not fully removed from the vehicle but only hung to the side.
- Used for standard tools and special tools.
- Used as background color for vehicle components.

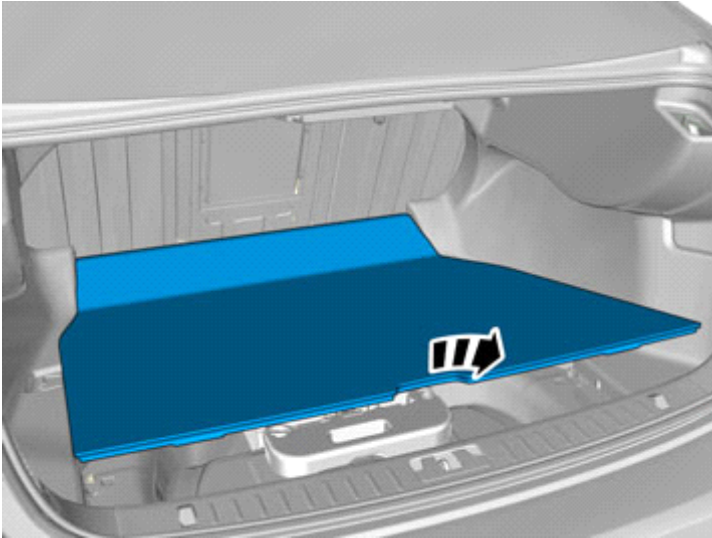
Removal



Installation instructions, accessories

Volvo Car Corporation Gothenburg, Sweden

3



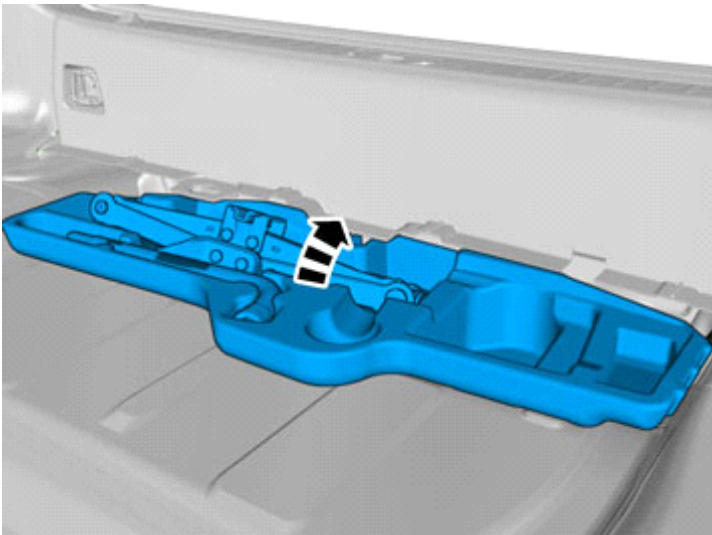
IMG-378713

4



IMG-378714

5



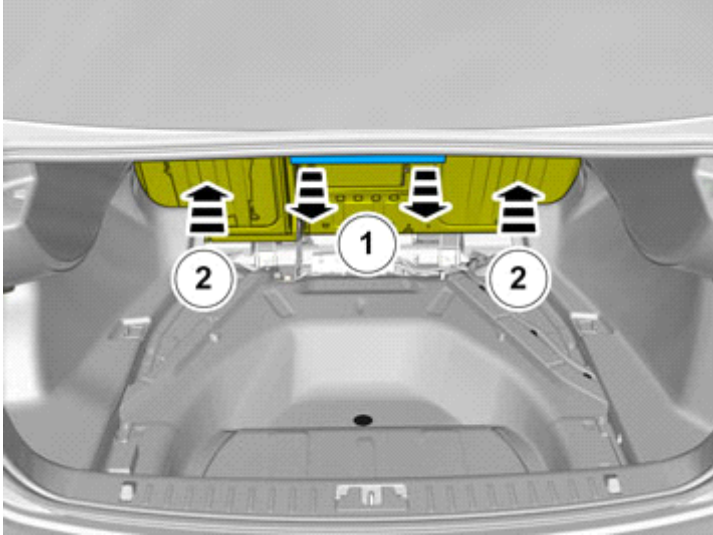
IMG-378715



Installation instructions, accessories

Volvo Car Corporation Gothenburg, Sweden

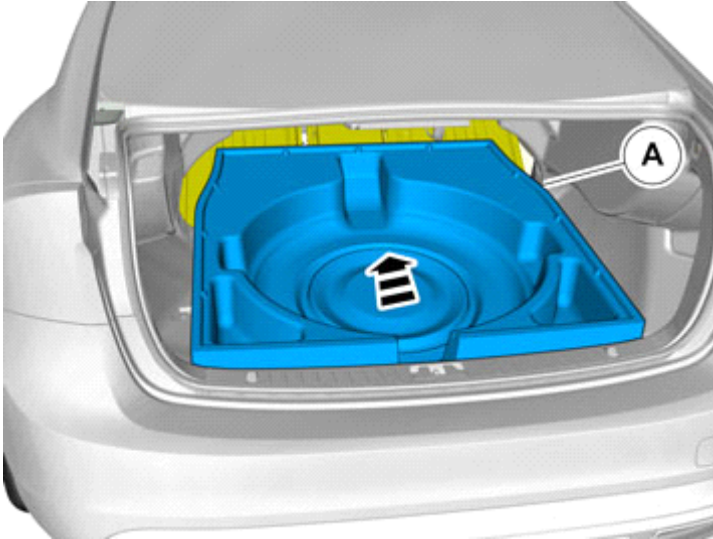
6



IMG-378741

Accessory installation

7



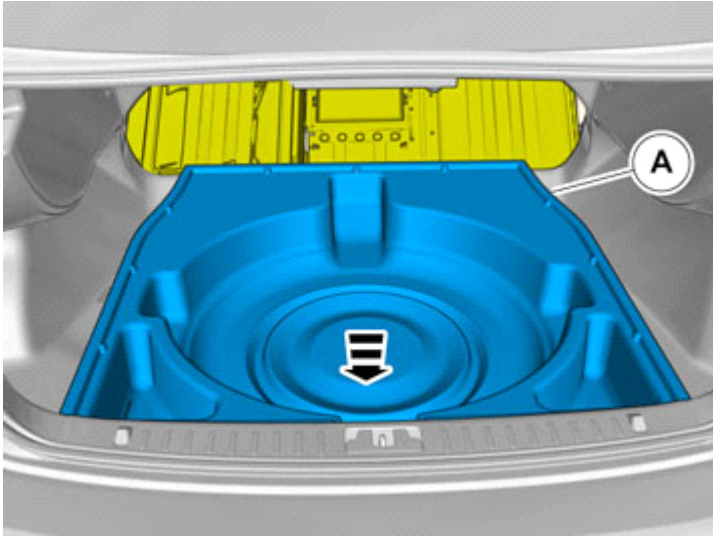
IMG-378744



Installation instructions, accessories

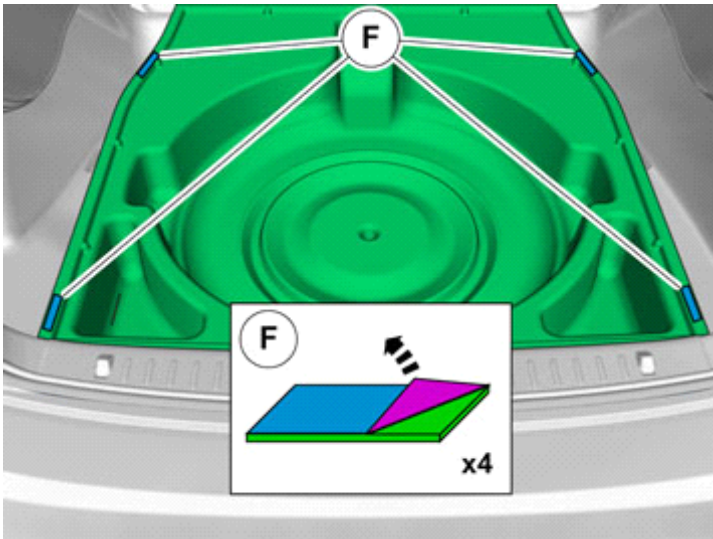
Volvo Car Corporation Gothenburg, Sweden

8



IMG-378739

9



IMG-378781

Remove the protective film.

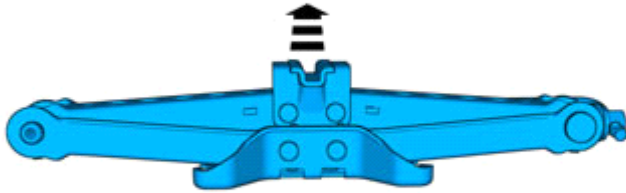
Preparation



Installation instructions, accessories

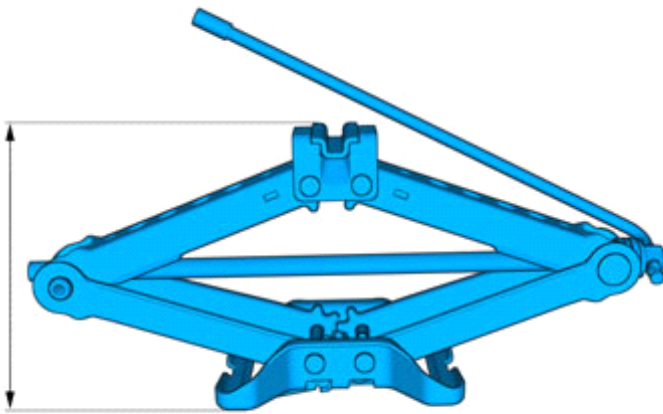
Volvo Car Corporation Gothenburg, Sweden

10



IMG-378775

11 215 +/- 5mm



IMG-378779

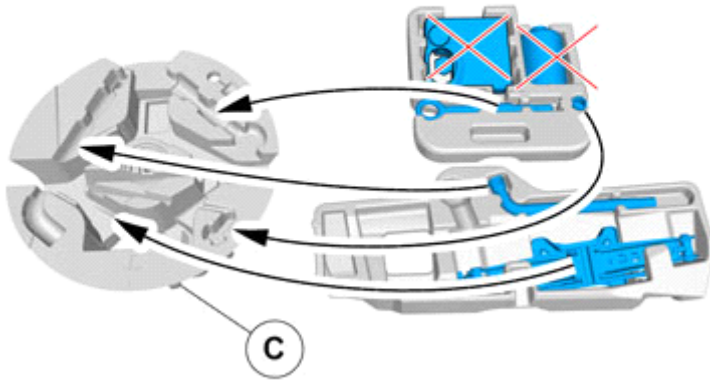
Accessory installation



Installation instructions, accessories

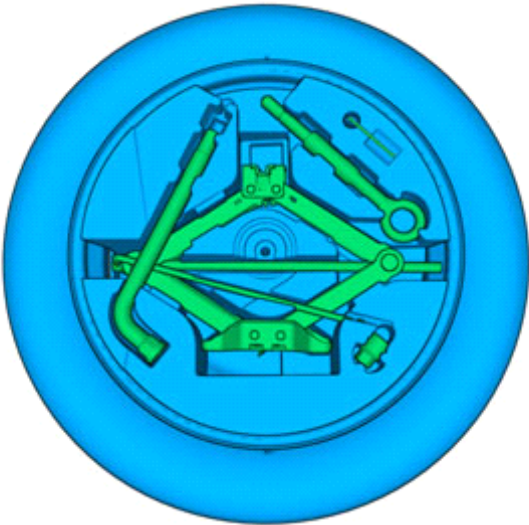
Volvo Car Corporation Gothenburg, Sweden

12



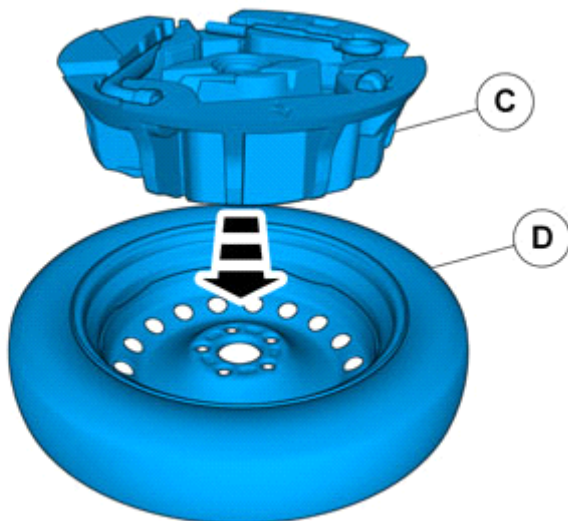
IMG-378716

13



IMG-378778

14



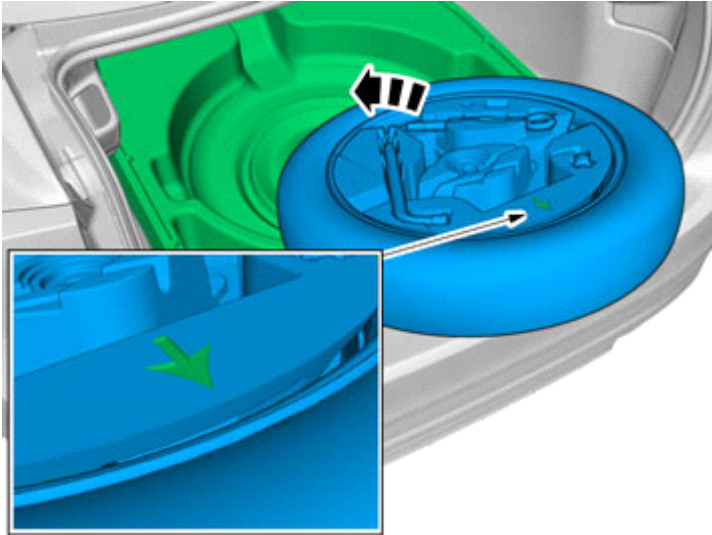
IMG-378734



Installation instructions, accessories

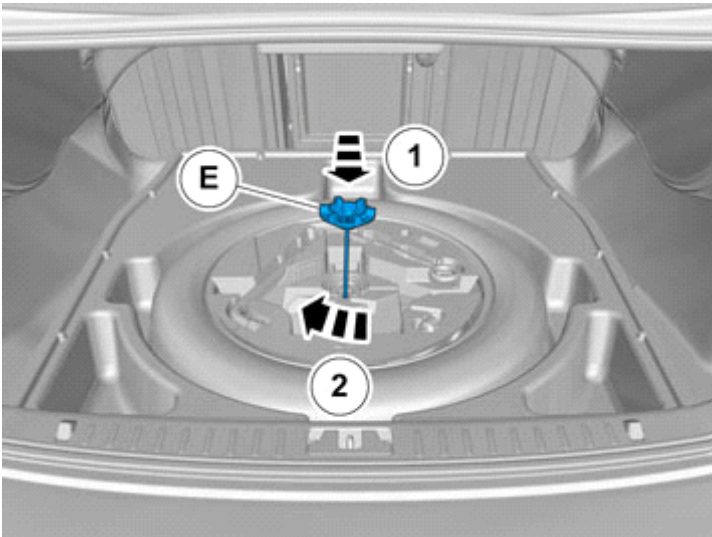
Volvo Car Corporation Gothenburg, Sweden

15



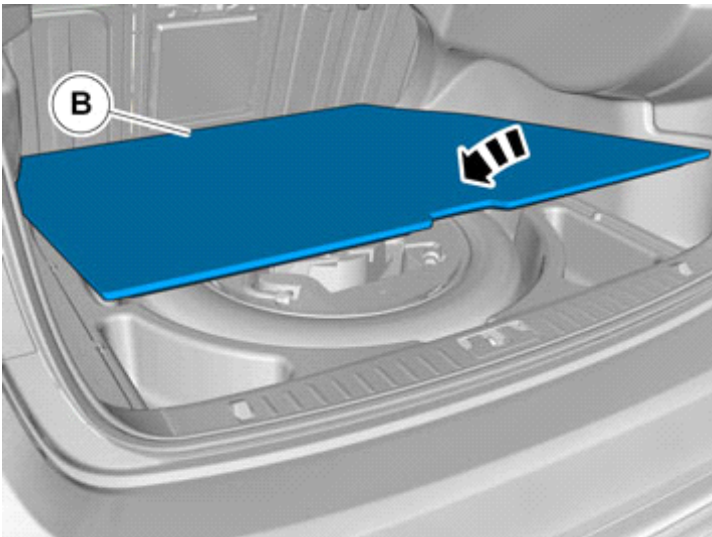
IMG-378712

16



IMG-378728

17



IMG-378733



Installation instructions, accessories

Volvo Car Corporation Gothenburg, Sweden
